

R4 EXECUTIVE SEATING

ERGO-1



FEATURES

- » Adjustable seat height cable controlled
- » Adjustable back height (ratchet)
- » Adjustable seat and back angle cable controlled
- » Adjustable seat depth (seat slider) cable controlled
- » Adjustable weight tension
- » Adjustable active lumbar
- » Adjustable arms
- » Optional adjustable headrest
- » Coat rack
- » Synchron mechanism with 3 locking positions
- » 700mm aluminium base
- » Available in black only
- » BIFMA tested
- » Minor assembly required
- » Suitable for indoor use only
- » 5 year warranty
- » Weight limit is 120kg

INDOOR USE ONLY

COAT RACK

ADJUSTABLE ACTIVE LUMBAR

RIGHT BACK LEVER
To adjust seat depth (seat slider)

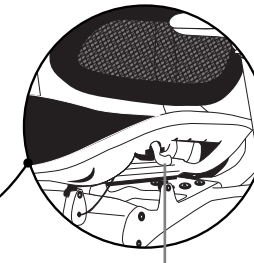
RIGHT FRONT LEVER
To adjust seat height

RIGHT KNOB
To adjust weight tension

OPTIONAL ADJUSTABLE HEADREST

To adjust back height hold back with two hands while seated and raise to desired height
To lower the back height raise back all the way to the top and release slowly

ADJUSTABLE ARMS

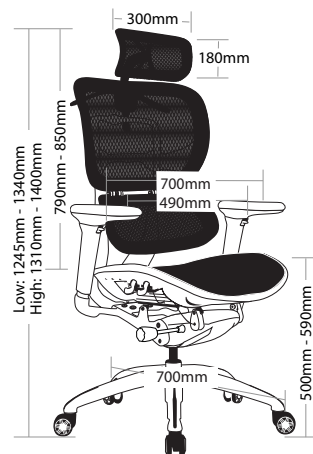


LEFT LEVER
To adjust seat and back angle

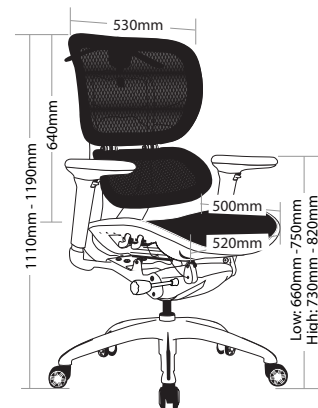
700MM ALUMINIUM 5 STAR BASE WITH CASTORS

Use soft tyred castors for tiles
Use hard tyred castors for carpet

Do not use as a step ladder



ERGO-1H



ERGO-1L

ERGO-1 EXECUTIVE SEATING



ERG0-1H



ERG0-1L



RIGHT VIEW